



Platinum

Parts Catalogue

www.viesa.ca / 1-888 438-8444

IMPORTANT

Installation requires an experienced mechanic with specific knowledge in the installation of the VIESA Ecological Cooler. Installation, disassembly, repairs and maintenance must be performed by an Authorized Installer. Authorized Installer must use proper protective equipment when installing the system.

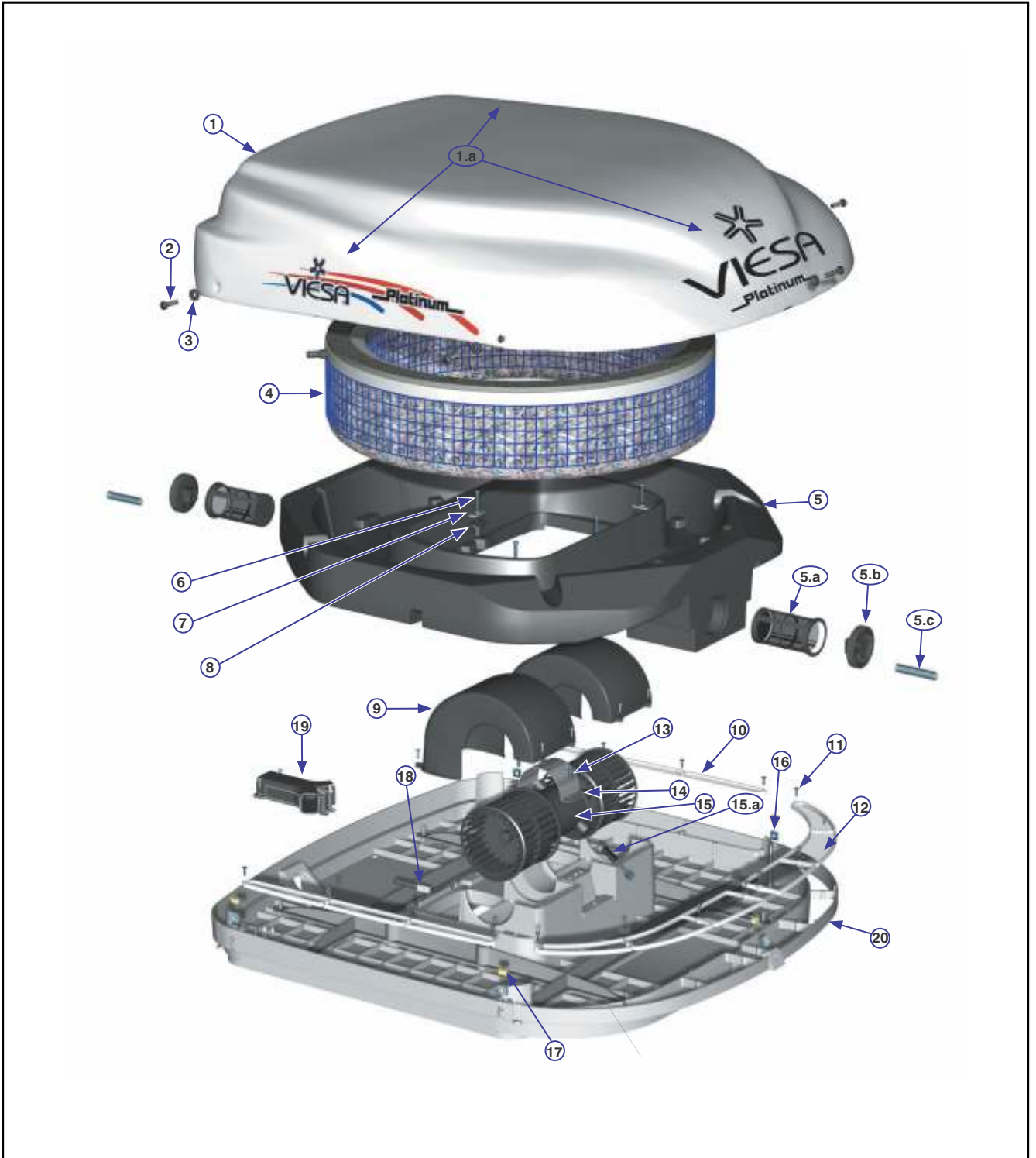
Improper installation or use of unauthorized parts can cause malfunctions, loss of battery life or other consequences which may result in serious injury.

Manufacturer or Distributor will not be responsible for injuries or damages resulting from misuse of equipment, use contrary to operating instructions or installation by any person other than an Authorized Installer.

Information contained in this manual is subject to change. Manufacturer reserves the right, without notice, to make changes in equipment design or components as progress in engineering, manufacturing or technology may warrant.

World-wide Patents

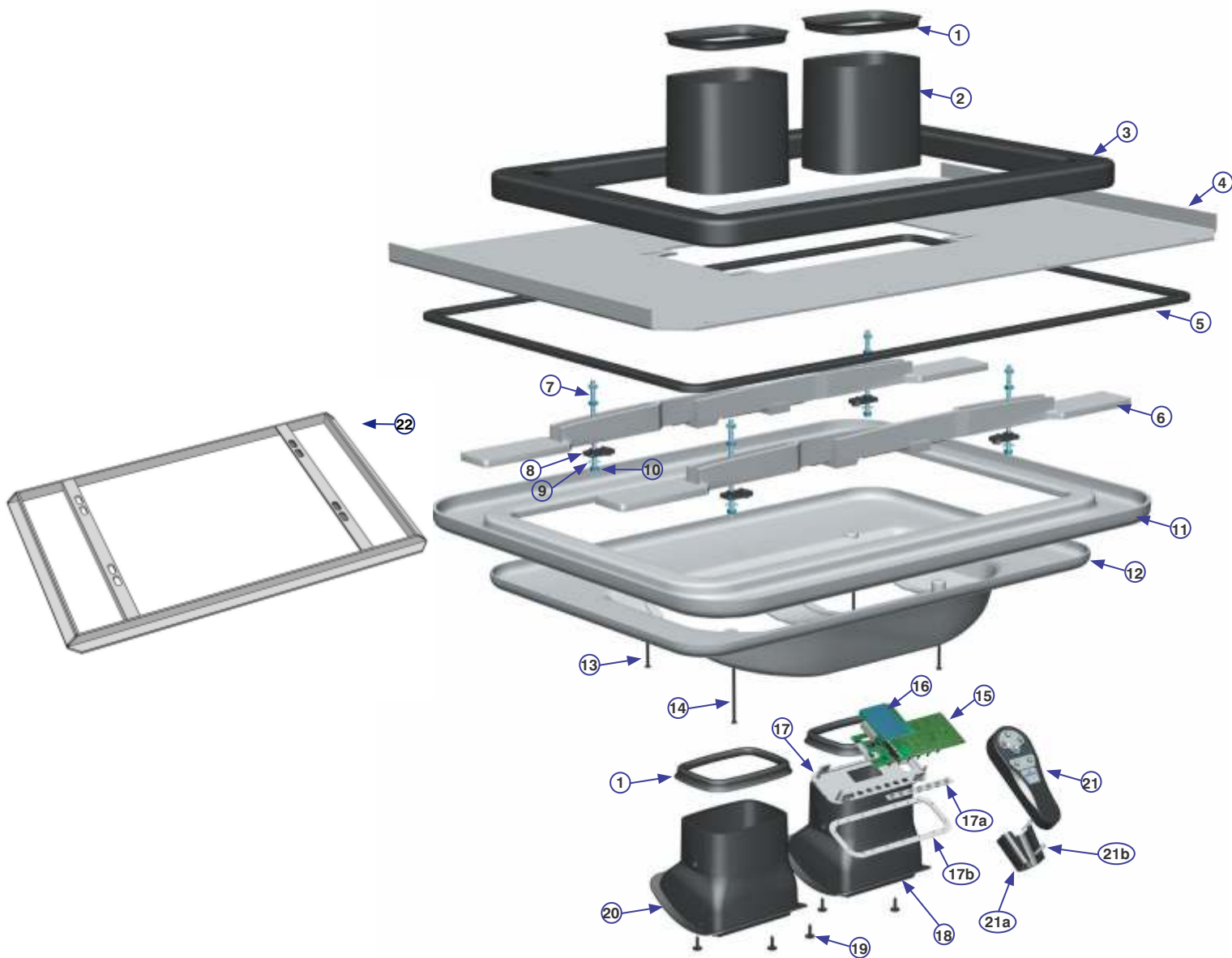
VIGIA is a trademark of Col-Ven S.A.



CODE		DESCRIPTION
1.	X6019.A015-9	Platinum evaporator cover.
1a.	X6019.A005-6	Platinum decals
2.	X9401.A044-5	Philips screw M6 x 25 mm.
3.	X6001.A060-2	1/4" plastic washer
4.	X6006.A009-1	Viesia Plus evaporator
5.	X6006.A049-0	Viesia Plus evaporator's tray
5a.	X6004.A220-6	PVC filter (Ø 46 mm. length 95 mm.)
5b.	X6004.A017-9	Cap for evaporator's tray water filter
5c.	X6005.A091-2	Spring (Ø 9.30 mm x 60 mm)
6.	X9401.A041-2	Philips screw (3/16 x 1-3/8).
7.	X6004.A310-7	Plastic washer for tray
8.	X9404.A117-1	Muffling rubber washer.
9.	X6006.A011-1	Plastic cover for biturbo blower
10.	X6006.A014-4	Side air grille
11.	X9401.A042-1	Philips screw 2.9 x 3/4.
12.	X6006.A015-6	Front air grille
13.	X9401.A038-0	Philips screw (3/16 x 3/4).
14.	X6006.A189-0	Mounting bracket for biturbo blower
15.	X6017.A090-9	Biturbo sealed blower 12 V.
15a.	X6004.A245-9	Brushes for biturbo blower
16.	X9403.A029-0	Square nut 7/16-E 4.85 M6 x 1.00
17.	X6005.A090-0	Nut plug for evaporator's base
18.	X6017.A047-8	10 K Viesia temperature sensor
19.	X6005.A118-9	Harness for evaporator's electrical connection
20.	X6006.A005-3	Viesia Plus evaporator's base



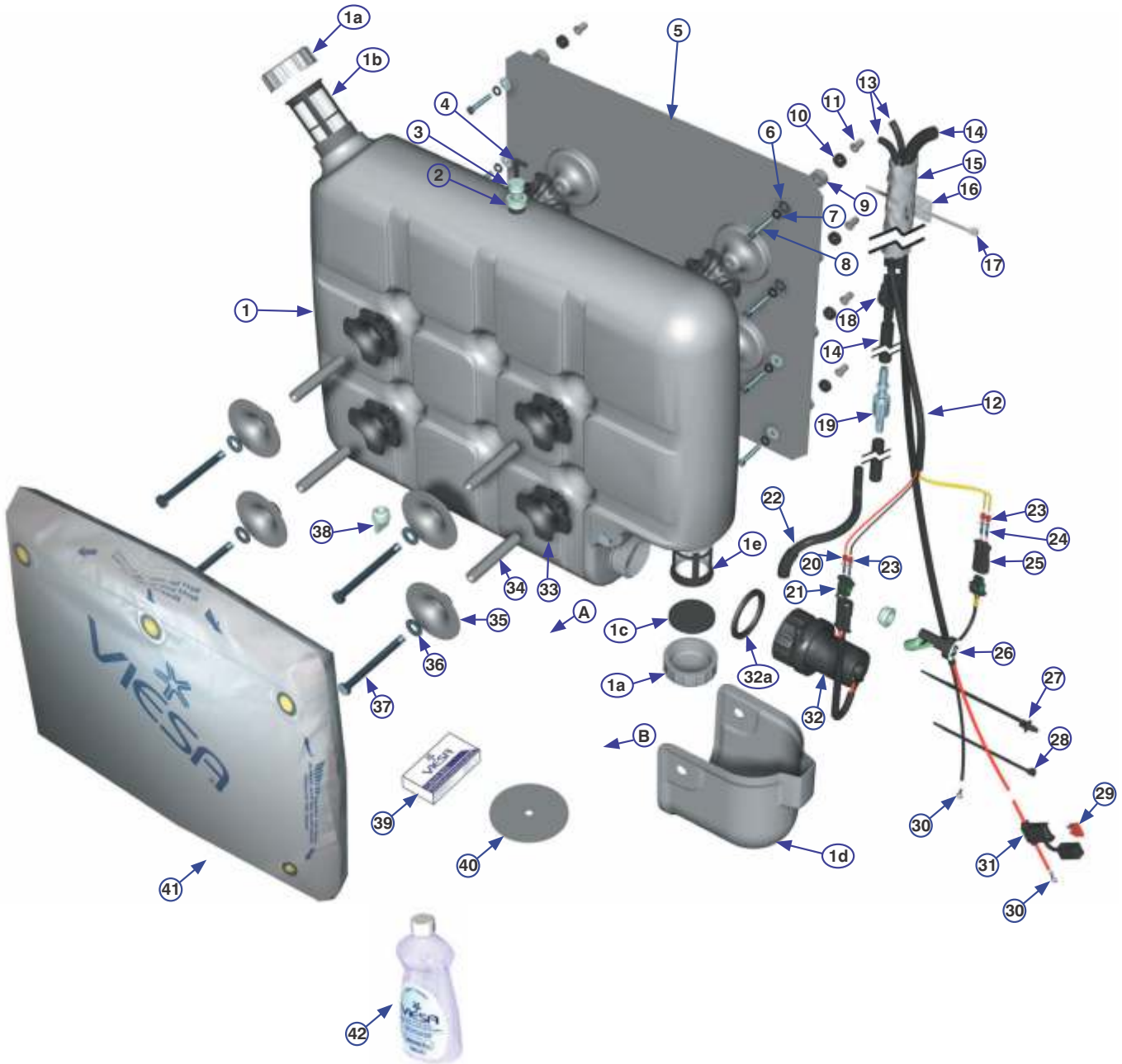
UPHOLSTERY COVER VIESA PLATINUM



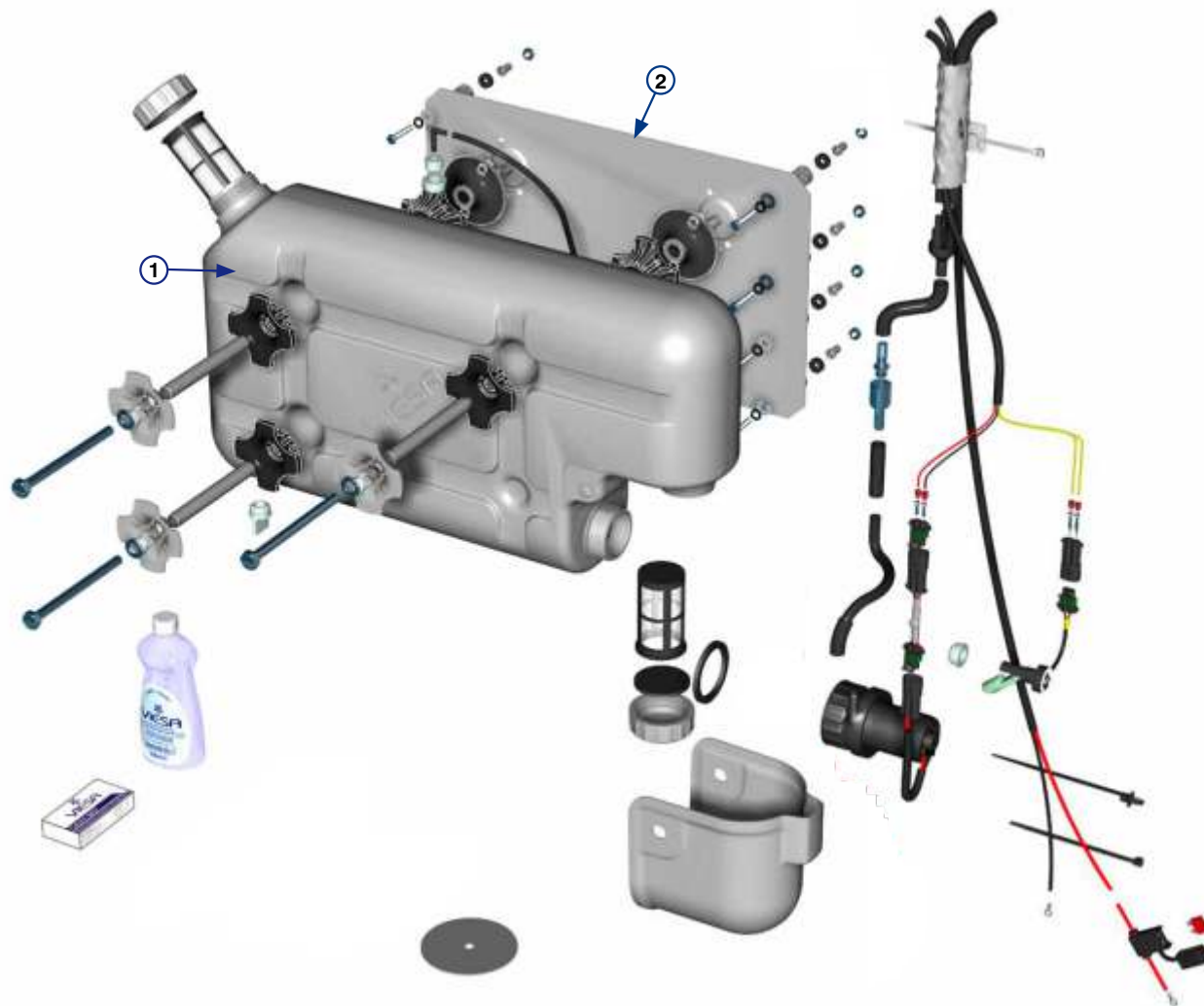
	CODE	DESCRIPTION
1.	X6006.A016-8	Weather strip for air duct and grille
2.	X6005.A039-0	Air duct (240 mm.)
2.	X6006.A006-5	Air duct (125 mm.)
3.	X6001.A052-3	Weather strip (30 x 40 x 2300 mm)
3.	X6001.A101-3	Weather strip (30 x 25 x 2300 mm)
3.	X6001.A658-0	Weather strip (20 x 25 x 2300 mm)
4.	X6002.A177-4	Reducer support 960 x 580 mm.
4.	X6002.A178-6	Reducer support 830 x 580 mm.
4.	X6006.A079-6	Reducer support 705 x 505 mm.
5.	X6001.A051-1	Weather strip (7 x 15 x 2500 mm)
6.	X6002.A064-4	Adjustable roof support 340 mm
6.	X6005.A024-0	Adjustable roof support 470 mm
7.	X9403.A005-9	Hexagonal nut MA 6 mm.
8.	X6017.A003-1	Plastic nut for upholstery cover - 35 mm spacer - 3 holes
8.	X6017.A004-3	Plastic nut for upholstery cover - 3 holes
9.	X9404.A054-3	Washer \varnothing 7 x 18.5 x 1.5 mm.
10.	X9402.A047-5	Screw MA 6 x 40 mm.
10.	X9402.A060-0	Hexagonal head screw MA 6 x 110 mm.
10.	X9402.A064-5	Screw MA 6 x 50 mm.
10.	X9402.A067-1	Screw MA 6 x 85 mm.
11.	X6017.A023-7	Frame for cover 727 x 582 x 30 mm
11.	X6017.A024-9	Frame for cover 700 x 500 mm
11.	X6017.A078-6	Frame for cover 890 x 580 x 30 mm
11.	X6017.A080-6	Frame for cover 875 x 525 x 30 mm
12.	X6017.A055-7	Upholstery cover 625 x 425 mm.
12.	X6017.A082-0	Upholstery cover 810 x 620 mm.
12.	X6017.A058-0	Upholstery cover 660 x 445 mm.
12.	X6017.A059-2	Upholstery cover 580 x 535 mm.
12.	X6017.A083-2	Upholstery cover 630 x 270 mm.
13.	X9401.A023-0	Philips screw (5 x 44 mm.)
14.	X9401.A020-4	Philips screw (5 x 95 mm.)
15.	X6017.A049-2	Viesia Platinum command and control module
16.	X6017.A048-0	Viesia Platinum power module
17.	X6017.A050-0	Support for command and control module Platinum
17a.	X6012.A007-0	Keys for command and control module Platinum
17b.	X6017.A015-8	Frame for command and control module
18.	X6004.A175-1	Right air grille
19.	X9401.A026-3	Philips screw N°8 x 1/2.
20.	X6004.A176-3	Air grille
21.	X6002.A246-0	Viesia remote control
21a.	X6005.A149-7	Viesia remote control support
21b.	X9401.A042-1	Philips screw 2.9 x 3/4.
22.	X6004.A188-0	Steel frame for roof without hatch



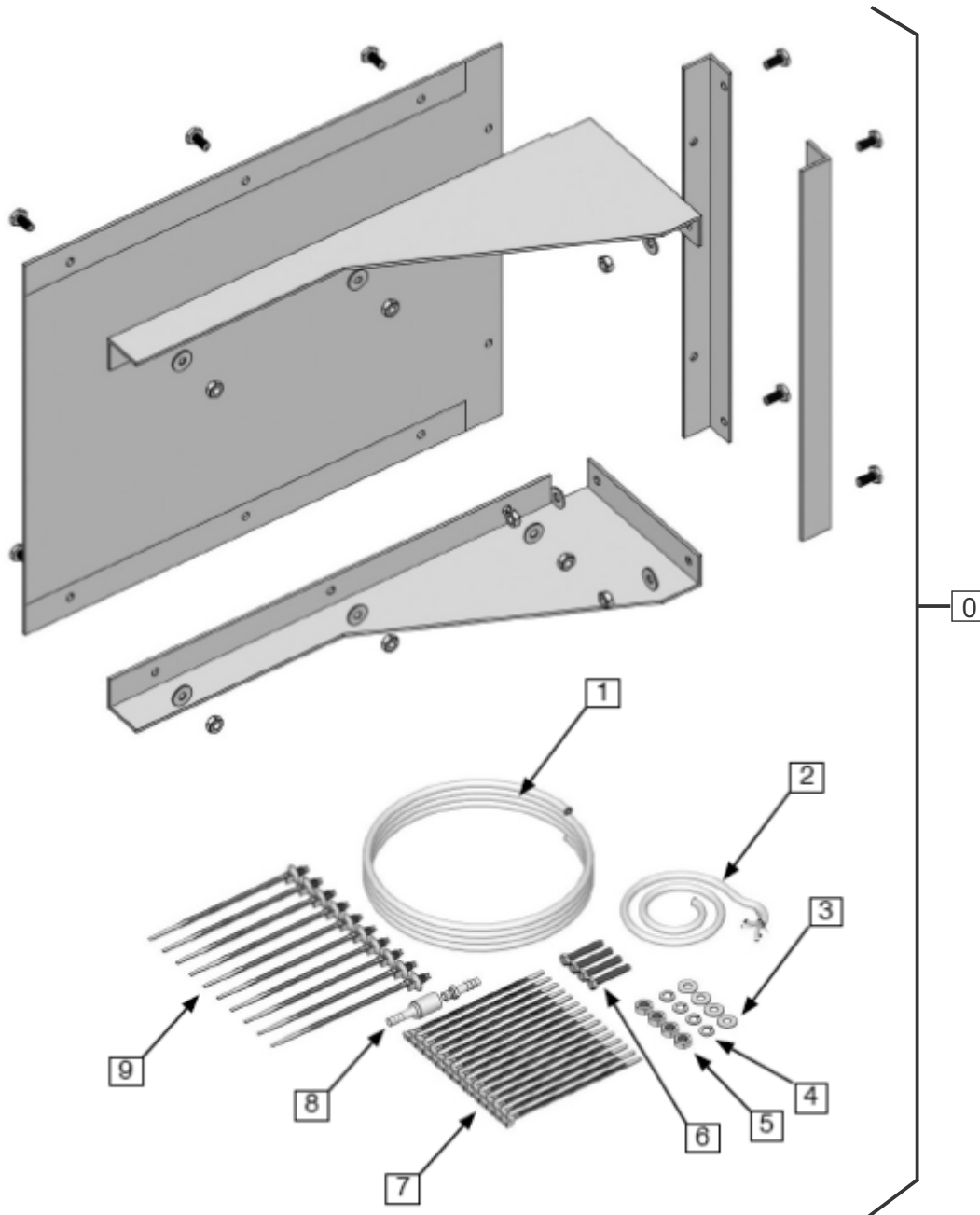
WATER TANK VIESA PLATINUM



	CODE	DESCRIPTION
1.	X6004.A115-9	Water tank
1a.	X6003.A076-5	Water tank cap
1b.	X6004.A314-2	Water filter for water tank (Ø 46 mm length 200 mm)
1c.	X6004.A183-0	Gasket for water tank's cap
1d.	X6004.A322-1	Water pump cover
1e.	X6004.A220-6	PVC filter (Ø 46 mm. length 95 mm.)
2.	X6001.A074-0	Rubber gasket for water level sensor
3.	X6001.A187-0	Rubber gasket for water tank vent
4.	X6004.A049-9	Water tank vent
5.	X6004.A328-0	Water tank support plate for rubber pads
6.	X9404.A054-3	Washer Ø 7 x 18.5 x 1.5 mm.
7.	X9404.A064-6	Grower washer 6 mm.
8.	X9402.A047-5	Screw MA 6 x 40 mm.
8.	X9402.A064-5	Screw MA 6 x 50 mm.
9.	X6005.A133-5	Aluminium spacer Ø 22 x 10 mm.
9.	X6005.A134-7	Aluminium spacer Ø 22 x 15 mm.
10.	X6004.A178-7	Polyester washer
11.	X6004.A103-2	Threaded rivet MA 6 x 1.00
12.	X6019.A016-1	Viesia Platinum Electrical installation
13.	X6004.A009-0	Black PVC hose 4.5 x 8 mm. x 600 cm.
14.	X6004.A010-8	Black PVC hose 9 x 15 mm. x 600 cm.
15.	X6006.A008-9	Cord wrap grey 360 cm
16.	X6002.A184-1	Self-adhesive tie base
17.	X9303.A014-1	Plastic tie gray 223 mm
18.	X6003.A119-0	Dual restriction valve
19.	X6004.A086-2	Quick connection hose 9 x 15 mm
20.	X1110.A029-7	Crimp wire terminal female
21.	X1111.A207-2	2-way connector female
22.	X6005.A095-0	Preformed hose for water pump
23.	X1111.A209-3	2-way connector seal
24.	X1110.A028-5	Crimp wire terminal male
25.	X1111.A208-1	2-way connector male
26.	X6005.A056-0	Water level sensor
27.	X9303.A013-2	Plastic loop tie black
28.	X9303.A010-6	Plastic tie black 223 x 5 mm
29.	X6003.A130-1	Fuse 15 A.
30.	X1110.A023-8	Wire terminal 10 mm
31.	X6005.A023-1	Fuse box
32.	X6002.A262-8	Water pump 12 V
32a.	X6004.A184-2	Gasket for water pump
33.	X6004.A323-3	Securing washer for water tank
34.	X6004.A326-9	Spacer tube 135 mm.
35.	X6004.A330-0	Rubber washer for water tank
36.	X1418.A326-5	Washer 19.2 mm.
37.	X6004.A327-1	Hex-head screw MA 10 x 1.50 mm.
38.	X6001.A075-2	Water tank plug
39.	X6006.A094-2	Granulated Calfa Bas
40.	X6005.A108-6	Cabin reinforcement plate
41.	X6005.A110-6	Water tank cooling blanket
42.	X6004.A319-2	Scented cleansing fluid

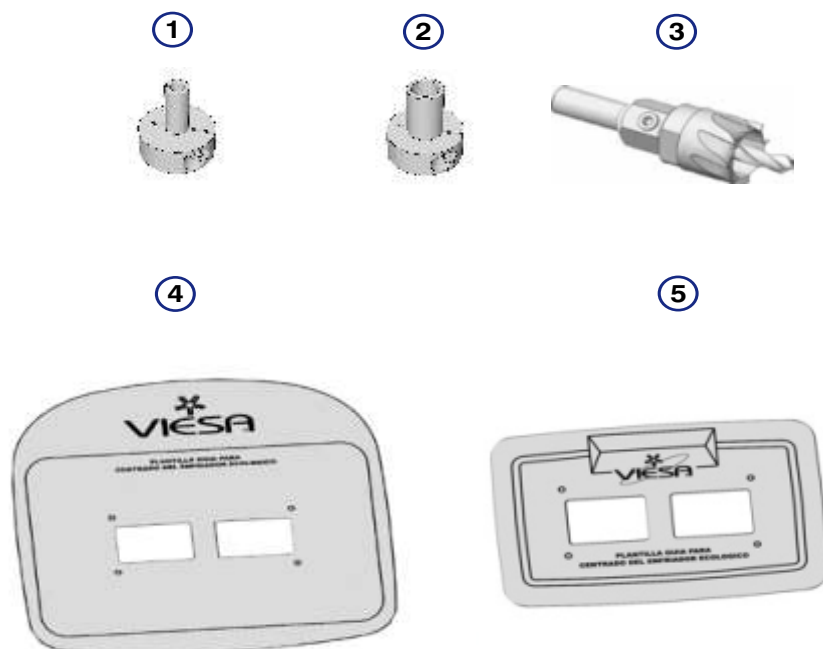


	CODE	DESCRIPTION
1.	X6004.A359-1	Small water tank
2.	X6004.A336-2	Water tank support plate (500 x 300 mm.)



CODE	DESCRIPTION
0. X6004.A260-5	Water tank chassis installation kit
1. X6004.A010-8	Black PVC hose 9 x 15 mm. x 600 cm.
2. X9703.A003-6	Electrical wire (per meter)
3. X9404.A063-4	Washer 5/16".
4. X9404.A056-7	Grower washer 5/16".
5. X9403.A021-7	Nut MA 8.
6. X9402.A059-2	Screw MA 8 x 65 mm.
7. X9303.A014-1	Plastic tie gray 223 mm
8. X6004.A086-2	Quick connection hose 9 x 15 mm
9. X9303.A013-2	Plastic loop tie black

TOOLS VIESA PLATINUM



	CODE	DESCRIPTION
1.	X1122.A234-4	Drill bit stopper 5mm
2.	X1122.A235-6	Drill bit stopper 9mm
3.	X1122.A237-0	Hole-saw 22mm
4.	X6005.A119-1	Template exterior
5.	X6005.A120-9	Template interior

PARTS CATALOGUE VIESA PLATINUM

REVISION 002



P.O.Box 1352 – 1500 Avenue Road
Toronto, Ontario M5M 0A1
CANADA

COLVEN

Ruta 11 Km.814 - Guadalupe Norte
Prov. de Santa Fe (S3574XAB)
ARGENTINA

ORDER ON-LINE

www.viesa.ca / 1-888 438-8444